

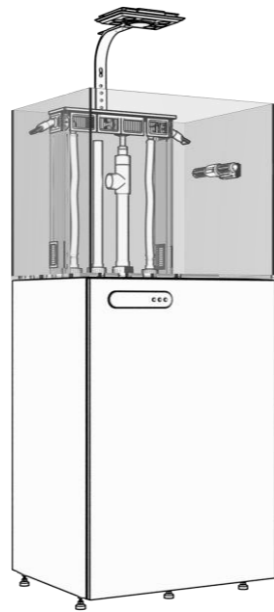
Lagoon Series Smart Aquarium

Quick User Guide LS-060



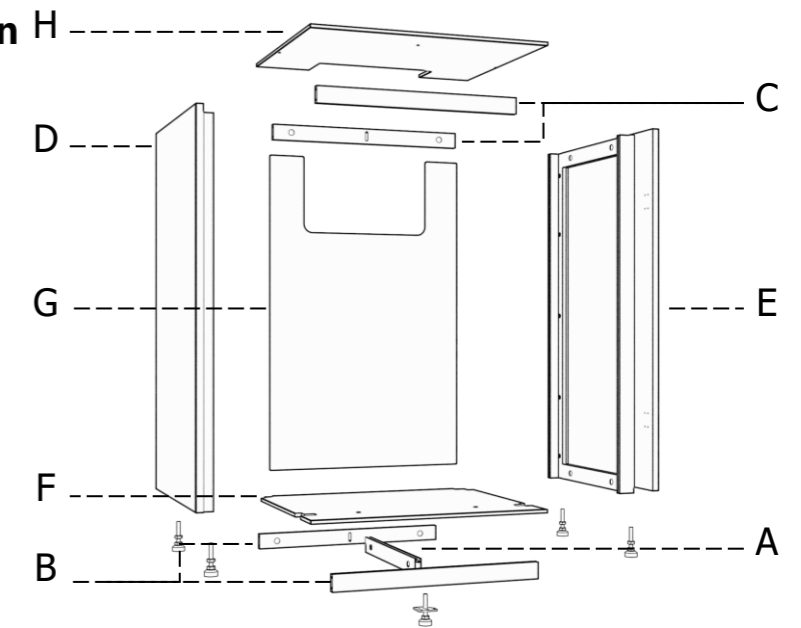
Scan QR Code
to watch installation video

LED Light
sold separately

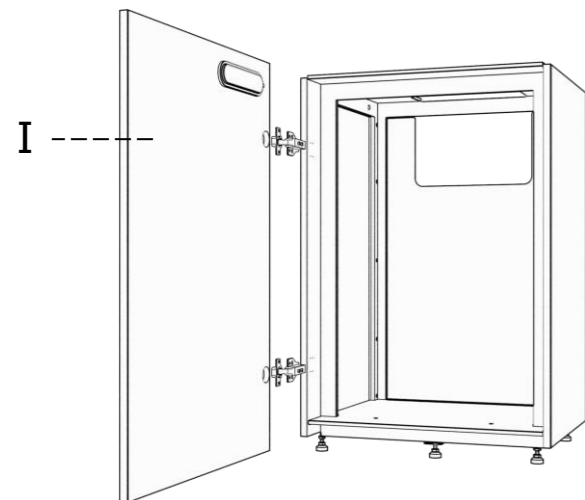


Part One: Aquarium Installation

1. Cabinet

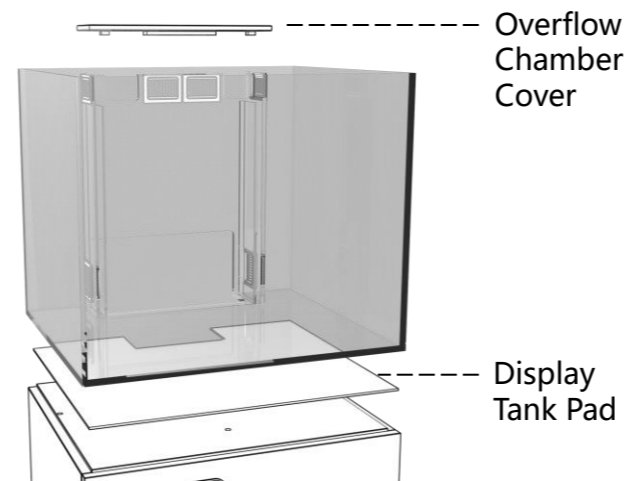


2. Door Panel

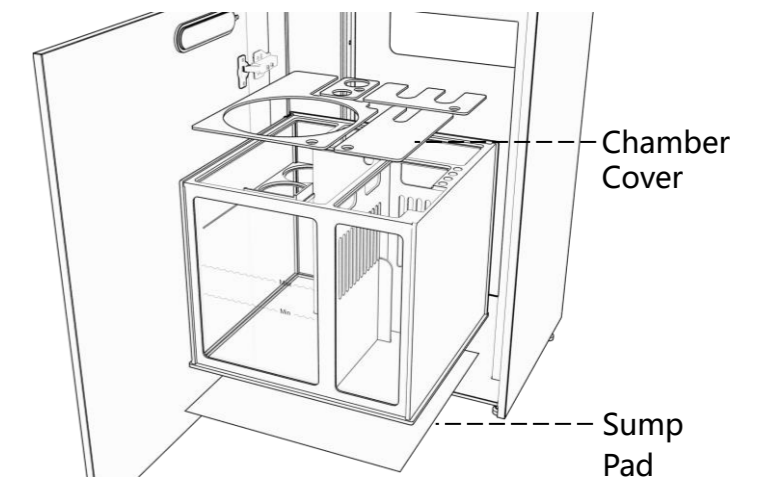


Tips: Align the door before install the drawer.

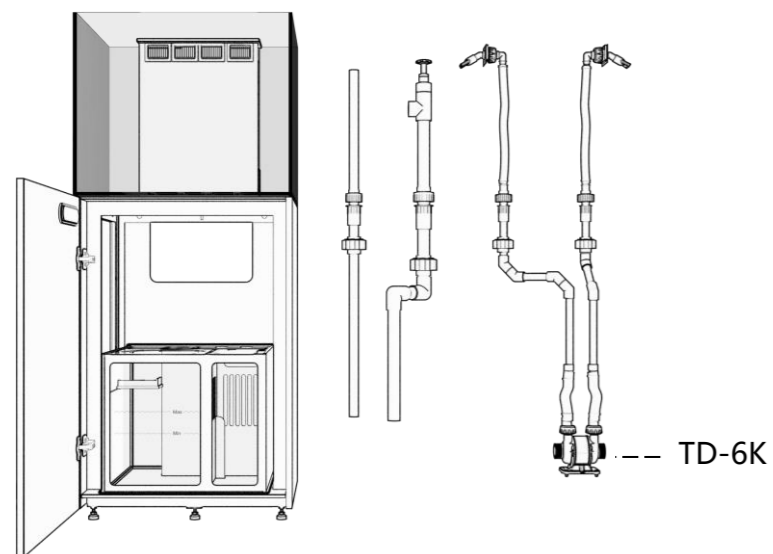
3. Display Tank



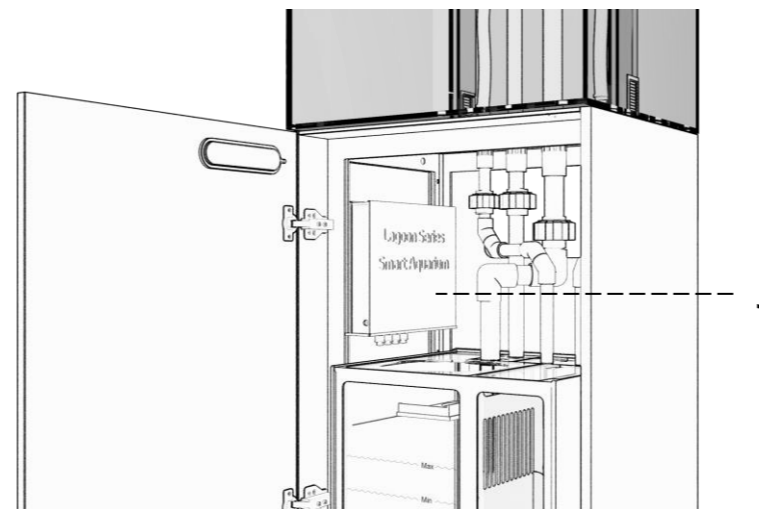
4. Sump



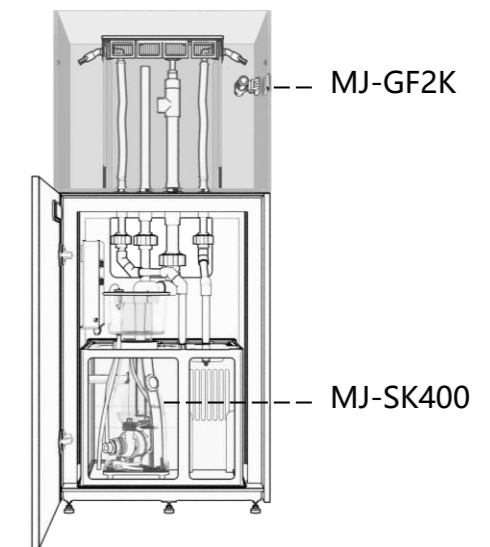
5. Plumbing and Return Pump



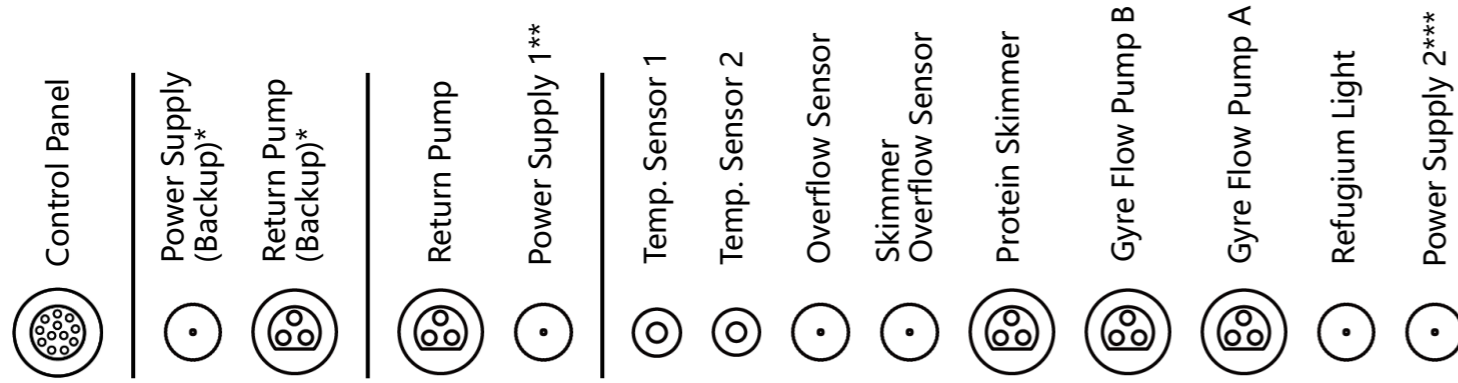
6. Integrated Control Center



7. Gyre Flow Pump and Skimmer



Part Two: Equipment Connection



* Tips: When the main control system is failed, please first connect the return pump and Power Supply 1 to the Return Pump (Backup) and Power Supply (Backup) sockets respectively, now the Power Supply 1 only powers the return pump, the other equipment stops working. Then please contact local retailer or manufacturer for after-sale service.

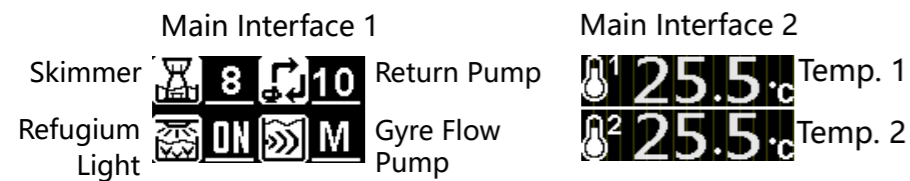
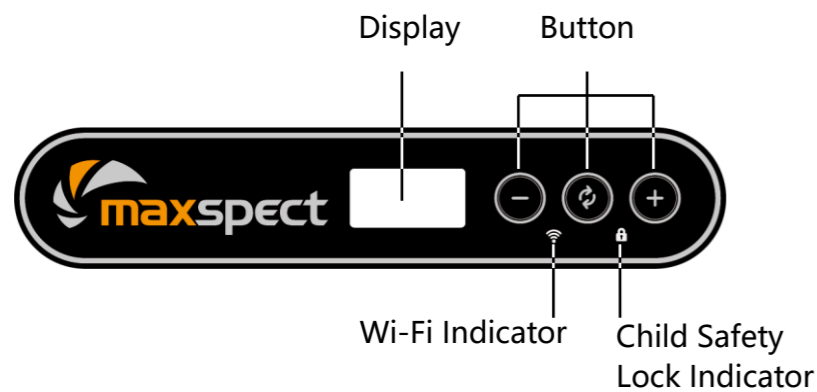
** Power Supply 1 only powers the Return Pump and the main control system.

*** Power Supply 2 Powers the rest equipment.



Scan QR Code to download Syna-G Cloud APP

Part Three: Operation



Equipment Control

- Press button can switch between the two main interfaces.
- When in the main interface 1, press and hold button for about 2s to enter setting interface, press again button to switch among the equipment, press - or + button to set the value, then press and hold button again for about 2s, or leave it for 30s to save the setting and.
- Protein Skimmer & Return Pump: you can set the working speed of the equipment on both the control panel and the Syna-G Cloud APP.
- Refugium Light & Gyre Flow Pump: you can only turn on and off the light through the control panel, please use Syna-G Cloud APP to get full access to the equipment.

Wi-Fi Connection

1. On either of the main interface, press and hold all three buttons for about 3s to enter setting interface;
2. Press - or + button to switch to setting page 1(WiFi);
3. Press and hold button for about 2s until the WiFi indicator starts to flash, now the system is ready to be connected;
4. Open Syna-G Cloud APP to connect the system by following the hints; *
5. Create an account and log in; **
6. For Android platform, choose the WiFi connection to which your mobile device has already connected and input password;
7. When a fixture with the ID "AT1-A1xxxxx" s shown on the list, it means that the fixture is connected to your mobile device successfully.

* Make sure your mobile device is connected to a 2.4GHz or 2.4GHz & 5GHz combined network, and turn on the Bluetooth signal and GPS positioning function at the same time.

**Select a proper territory on the right up side of the login page while register new account.

Turn On/Off the System

1. On either of the main interface, press and hold all three buttons for about 3s to enter setting interface;
2. Press - or + button to switch to setting page 2(OFF);
3. Press and hold button for about 2s until the display flashes for three times, the system turns off and all the equipment stop working, however the WiFi connection is still activated;
4. Press and hold all three buttons again for about 2s can turn on the system.

Restore Factory Setting

1. On either of the main interface, press and hold all three buttons for about 3s to enter setting interface;
2. Press - or + button to switch to setting page 3(Reset);
3. Press and hold button for about 2s, system is restored to factory setting after the display flashing for three times.

Child Safety Lock

1. On either of the main interface, press and hold - & + buttons for about 2s to lock the buttons, however you can still press button to check out equipment status.
2. Press and hold - & + buttons again for about 2s can unlock the buttons.

Water Exchange

1. Press and hold - & buttons for about 2s to enter water exchange mode, return pump, gyre flow pump and skimmer stop working;
2. The duration of water exchange can only be set through the APP, the equipment will not recover to its previous working status automatically after the time is up and the buzzer starts to beep;
3. Press and hold - & buttons again for about 2s can exit water exchange mode.

Feeding

1. Press and hold & + buttons for about 2s to enter feeding mode, return pump keeps its working speed, skimmer and gyre flow pump slow down to 10% working speed;
2. The duration of feeding can only be set through the APP, the equipment will recover to its previous working status after the time is up;
3. Press and hold & + buttons again for about 2s can exit feeding mode.